

TEKO Air

Modern LED luminaire for public lighting,
designed for top mounting.



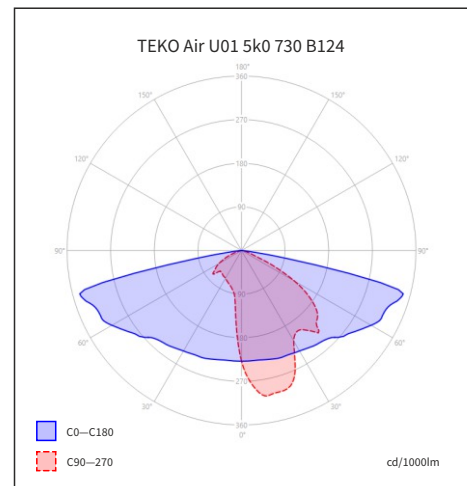
TECHNICAL SPECIFICATIONS

Light source	LED
Power voltage	AC 220–240 V / 50–60 Hz
Connection method	leading out cable, leading out cable with connector (G)
Ballast part	electronic driver with surge protection L/N-Ground 10 kV
Surge protection	additional surge protection 10 kV (S)
Fuse	fuse 6,3 A (J)
Possibility of regulation	non-dimmable (not labeled), DALI (max. 3 core cable), night dimming (A) preparation for wireless communication NEMA (N), Zhaga (Z) CLO (C)
Constant lumen output	
Optical system	roads (Mxx), roads (Lxx), directional (Pxx) area (Uxx), combined optics (Kxx) BACK Light shades (BL1), FRONT Light shades (FL1) direct
Light distribution	
Colour rendering index	Ra > 70, Ra > 80
Colour temperature	BLUE FREE™ (AMBER) 2,200 K / 2,700 K / 3,000 K / 4,000 K / 5,000 K / 5,700 K / TW > 120,000 hrs. (L90)
Service life	
Luminaire body	aluminum cast
Colour	RAL 7015/9006*
Surface type	matte
Luminaire cover	tempered glass
Protection class	I, II
Maximum ambient temperature	max. -40 / +55 °C
Ingress protection	IP 66
Impact protection	IK 09, IK 10
EMC	YES
Vibration test	NO
Static load test	NO
Corrosion test – Salty spray	YES (1,500 hours)
Life test	YES
Certification	ENEC, ENEC+ , Zhaga-D4i, DarkSky Approved
Photobiological safety	RG0
CB mark	YES
RoHS	YES
REACH	YES
Method	Decorative bracket (not included)
Recommended height	max. up to 6 m

*other RAL (on request)

Use:

Pedestrian zones, Outdoor areas, Sidewalks, Cycle paths, Square



Produkt obsahuje světelný zdroj energetické třídy
C (730/740), D (AMB/727), E (722).



VARIANTS

VARIANTS (chip 3535)	POWER (W)				LUMINAIRE OUTPUT FLUX (lm)		LUMINAIRE EFFICIENCY (lm/W)	SERVICE LIFE (hrs.)	WEIGHT
	Color temperature (K)								
Catalog name	2200K Ra 70 U500 < 6.5%	2700K Ra 70 U500 < 10.5%	3000K Ra 70 U500 < 15%	4000K Ra 70 U500 < 23%	min	max	Up to	L90	kg*
TEKO A(ir) Mxx 1k0	7,8	7,1	6,9	6,5	837	963	148,2	> 120 000	8.4
TEKO A(ir) Mxx 1k5	11,8	10,4	9,9	9,4	1 255	1 445	153,7	> 120 000	8.4
TEKO A(ir) Mxx 2k0	14,5	12,8	12,3	11,7	1 673	1 926	164,6	> 120 000	8.4
TEKO A(ir) Mxx 3k0	22,6	19,5	18,3	17,5	2 510	2 890	165,1	> 120 000	8.4
TEKO A(ir) Mxx 4k0	30,6	27,1	25,1	23,9	3 346	3 853	161,2	> 120 000	8.4
TEKO A(ir) Mxx 5k0	39,6	34,3	32,1	30,6	4 183	4 816	157,4	> 120 000	8.4
TEKO A(ir) Mxx 6k0	42,7	42,6	39,5	37,4	5 020	5 779	154,5	> 120 000	8.4
TEKO A(ir) Mxx 7k0	50,9	44,2	41,6	39,2	5 856	6 742	172,0	> 120 000	8.4
TEKO A(ir) Mxx 8k0	59,5	51,4	48,2	45,4	6 693	7 706	169,7	> 120 000	8.4
TEKO A(ir) Mxx 9k0	68,2**	59	55,4	52,3	7 529	8 669	165,8	> 120 000	8.4
TEKO A(ir) Mxx 10k0	78**	66,6**	62,5**	58,9	8 366	9 632	163,5	> 120 000	8.4
TEKO A(ir) Mxx 12k0	-	83,9**	77,8**	72,9**	10 039	11 558	158,5	> 120 000	8.4

VARIANTS (chip 5050)	POWER (W)					LUMINAIRE OUTPUT FLUX (lm)		LUMINAIRE EFFICIENCY (lm/W)	SERVICE LIFE (hrs.)	WEIGHT
	Color temperature (K)									
Catalog name	BLUE FREE AMBER U500 < 1.7%	2200K Ra 70 U500 < 7%	2700K Ra 70 U500 < 10.6%	3000K Ra 70 U500 < 14%	4000K Ra 70 U500 < 21%	min	max	Up to	L90	kg*
TEKO A(ir) Lxx 1k0	7,6	7,6	7,1	6,6	6,4	848	946	147,8	> 120 000	8.4
TEKO A(ir) Lxx 1k5	11,3	10,9	10,3	9,5	9,3	1 271	1 419	152,6	> 120 000	8.4
TEKO A(ir) Lxx 2k0	14,2	13,8	12,6	12	11,4	1 695	1 892	166,0	> 120 000	8.4
TEKO A(ir) Lxx 3k0	21,1	20,7	18,9	17,7	16,9	2 543	2 837	167,9	> 120 000	8.4
TEKO A(ir) Lxx 4k0	28,2	27,7	25,5	23,6	22,6	3 390	3 783	167,4	> 120 000	8.4
TEKO A(ir) Lxx 5k0	35,8	35,1	32,3	29,8	28,2	4 238	4 729	167,7	> 120 000	8.4
TEKO A(ir) Lxx 6k0	39,9	39,1	39,4	36,3	34,3	5 086	5 675	165,5	> 120 000	8.4
TEKO A(ir) Lxx 7k0	46,6	46,2	42,3	39	37,2	5 933	6 621	178,0	> 120 000	8.4
TEKO A(ir) Lxx 8k0	54,1	53,7	48,4	44,7	42,5	6 781	7 566	178,0	> 120 000	8.4
TEKO A(ir) Lxx 9k0	61,9**	60,6	55,4	51,2	48,3	7 628	8 512	176,2	> 120 000	8.4
TEKO A(ir) Lxx 10k0	69,9**	68,5**	62,3**	57,4	54,3	8 476	9 458	174,2	> 120 000	8.4
TEKO A(ir) Lxx 12k0	-	-	76,9**	70,8**	66,7**	10 171	11 350	170,2	> 120 000	8.4

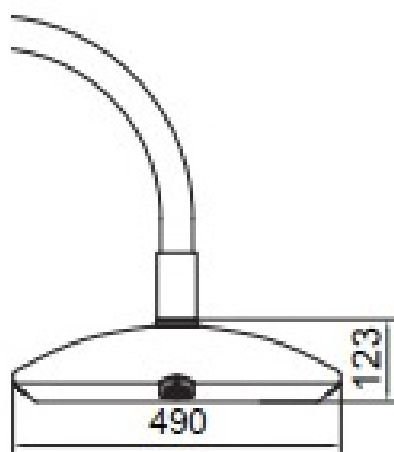
* The weight may vary slightly depending on the luminaire variant.

** Can not be produced under ENEC licence.

Luminaire ambient temperature TQ 25 °C
Initial color consistency: ≤ 5 SDCM
IDA fixture seal of approval relates to ≤ 3 000 K
To meet IDA requirements, the luminaires must be installed horizontally with the road
Optical and electrical parameters tolerance ± 10 %

When using the CLO function, the initial power and luminous flux is 10 % lower than the value shown in the table. LDT curves with CLO function have the letter "C" at the end of their marking.

The term BLUE FREE (AMBER) in lighting technology refers to light with a minimum amount of the blue part of the light spectrum (< 2%).



TEKO air

TEKO Air TW II M01BL1 8k0 730 B124 43CAZ SJG H3S ENEC

TEKO air	Name and size of the luminaire
TW	Tunable White Correlated Color Temperature (CCT)
bez značení	Class I luminaire
II	Class II luminaire
G2	luminaire generation
M01	Roads
L01	Roads
P01	Directional
U01	Area
ZP1 / ZL1	Pedestrian crossings
K01	Combined optics
BL1	BACK Light shades (straight)
BL2	BACK Light shades (curved)
FL1	FRONT Light shades (straight)
FL2	FRONT Light shades (curved)
8k0	Luminous flux marking (source)
730	Colour rendering index Ra > 70 Colour temperature 3 000 K
B	LED module type
1	LED chip type
2	Chip performance BIN
4	Mask type
12	On/Off driver (neDALI) + 2 pól. svorkovnice
13	On/Off driver (neDALI) + 3 pól. svorkovnice
43	DALI driver + 3 pól. svorkovnice
44	DALI driver + 4 pól. svorkovnice
45	DALI driver + 5 pól. svorkovnice
45P	DALI driver + 5 pól. svorkovnice + přítomnost pohybu
40	DALI driver + odpojovací svorkovnice (standard)
10	On/Off driver + odpojovací svorkovnice (standard)
DO	D4i driver (pro Zhaga konektor) + odpojovací svorkovnice (standard)

C	constant luminous flux (CLO)
A	auto. dimming
ZT	ZHAGA Top (top Zhaga connector), D4i driver
ZB	ZHAGA Bottom (bottom Zhaga connector), D4i driver
ZN	ZHAGA+NEMA connector (NEMA on top, Zhaga on bottom), D4i driver
Z2	2× ZHAGA (top and bottom connector), D4i driver
Z	Zhaga konektor, 4 pin D4i driver
N	NEMA connector, 7 pin (always only the top connector), DALI driver
S	Additional surge protection 10 kV (S)
J	Fuse
G	Gesis connector
H	H05(07)RN-F cable (1 mm ²)
C	CYKY cable (1,5 mm ²)
WO	Without cable
2	2 core cable
3	3 core cable
5	5 core cable
S	Standard – 25 cm length of cable (led out of the luminaire)
1	1 meter (length in whole meters)
ENEC	Certification



lumenlights.eu/teko-air-en
Update: 20. 2. 2026