

ELEKTRA S

The best-selling compact range of LED luminaires for street and road lighting.



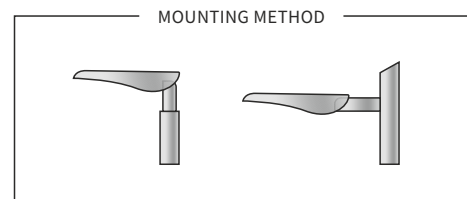
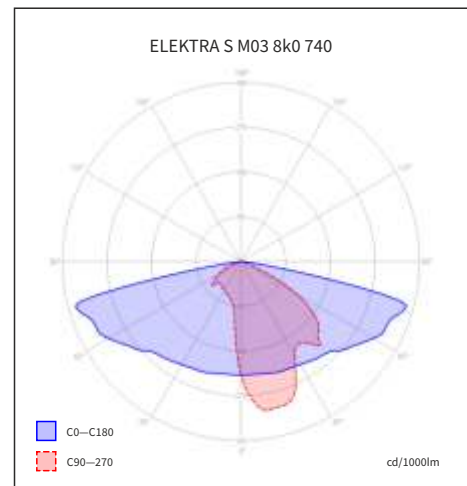
TECHNICKÉ SPECIFIKACE


Light source	LED
Power voltage	AC 220–240 V / 50–60 Hz
Connection method	leading out cable, leading out cable with connector (G) without cable (WO)
Ballast part	electronic driver with surge protection L/N-Ground 10 kV
Surge protection	additional surge protection 10 kV (S)
Fuse	fuse 6,3 A (J)
Possibility of regulation	non-dimmable (not labeled), DALI (DALI), night dimming (A) preparation for wireless communication NEMA (N), Zhaga (Z) or 2x Zhaga (ZZ)
Constant lumen output	CLO (C)
Optical system	roads (Mxx), roads (Lxx), directional (Pxx), area (Uxx), combined optics (Kxx) BACK Light shades (BL1/BL2), FRONT Light shades (FL1/FL2) direct
Light distribution	
Colour rendering index	Ra > 70, Ra > 80
Colour temperature	BLUE FREE™ (AMBER) / 2,200 K / 2,700 K / 3,000 K / 4,000 K / 5,000 K / 5 700 K / TW
Service life	> 120,000 hrs. (L90)
Luminaire body	aluminum cast
Colour	RAL 7015/9006*
Surface type	matte
Luminaire cover	tempered glass
Protection class	I, II
Maximum ambient temperature	max. -40 / +55 °C
Ingress protection	IP 66
Impact protection	IK 09, IK 10
EMC	YES
Vibration test	YES
Static load test	YES
Corrosion tests – salt spray	YES
Life test	YES
Certification	ENEC, ENEC+, Zhaga-D4i, IDA Dark Sky Approved
Photobiological safety	RG0
CB test	YES
RoHS	YES
REACH	YES
Method	pole or boom mounted (48–60 mm); 60–76 mm (on request) adjustable joint ± 15°
Recommended height	max. up to 8 m
Additional equipment	external aperture (CPZ) – on order

*Different color available on request (according to the RAL chart)

Use:

bike path, outdoor areas, pedestrian zones, sidewalks; road classes I., II. and III.





This product contains a light source of energy efficiency class C (730/740), D (AMB/727), E (722).



VARIANTS (chip 3535)	POWER (W)				LUMINAIRE OUTPUT FLUX (lm)		LUMINAIRE EFFICIENCY (lm/W)	SERVICE LIFE (hrs.)	WEIGHT
	Color temperature (K)								
Catalog name	2200K Ra 70 U500 < 6.5%	2700K Ra 70 U500 < 10.5%	3000K Ra 70 U500 < 15%	4000K Ra 70 U500 < 23%	min	max	Up to	L90B10	kg*
ELEKTRA S Mxx 1k0	7,8	7,1	6,9	6,5	825	963	148,2	> 120 000	4.8
ELEKTRA S Mxx 1k5	11,8	10,4	9,9	9,4	1 237	1 445	153,7	> 120 000	4.8
ELEKTRA S Mxx 2k0	14,5	12,8	12,3	11,7	1 649	1 926	164,6	> 120 000	4.8
ELEKTRA S Mxx 2k5	18,1	16,1	15,1	14,7	2 061	2 408	163,8	> 120 000	4.8
ELEKTRA S Mxx 3k0	22,6	19,5	18,3	17,5	2 474	2 890	165,1	> 120 000	4.8
ELEKTRA S Mxx 3k5	26,4	23,4	21,7	20,7	2 886	3 371	162,9	> 120 000	4.8
ELEKTRA S Mxx 4k0	30,6	27,1	25,1	23,9	3 298	3 853	161,2	> 120 000	4.8
ELEKTRA S Mxx 5k0	39,6	34,3	32,1	30,6	4 123	4 816	157,4	> 120 000	4.8
ELEKTRA S Mxx 6k0	45,3	42,6	39,5	37,4	4 947	5 779	154,5	> 120 000	4.8
ELEKTRA S Mxx 7k0	53,7	46,2	43,9	41,3	5 772	6 742	163,2	> 120 000	4.8
ELEKTRA S Mxx 8k0	58,4	54	51,1	47,7	6 596	7 706	161,6	> 120 000	4.8
ELEKTRA S Mxx 9k0	66,9	57,8	59,1	54,7	7 421	8 669	158,5	> 120 000	4.8
ELEKTRA S Mxx 10k0	-	65,4	61,4	57,8	8 245	9 632	166,6	> 120 000	4.8
ELEKTRA S Mxx 11k0	-	-	68,5	64,6	9 070	10 595	164,0	> 120 000	4.8

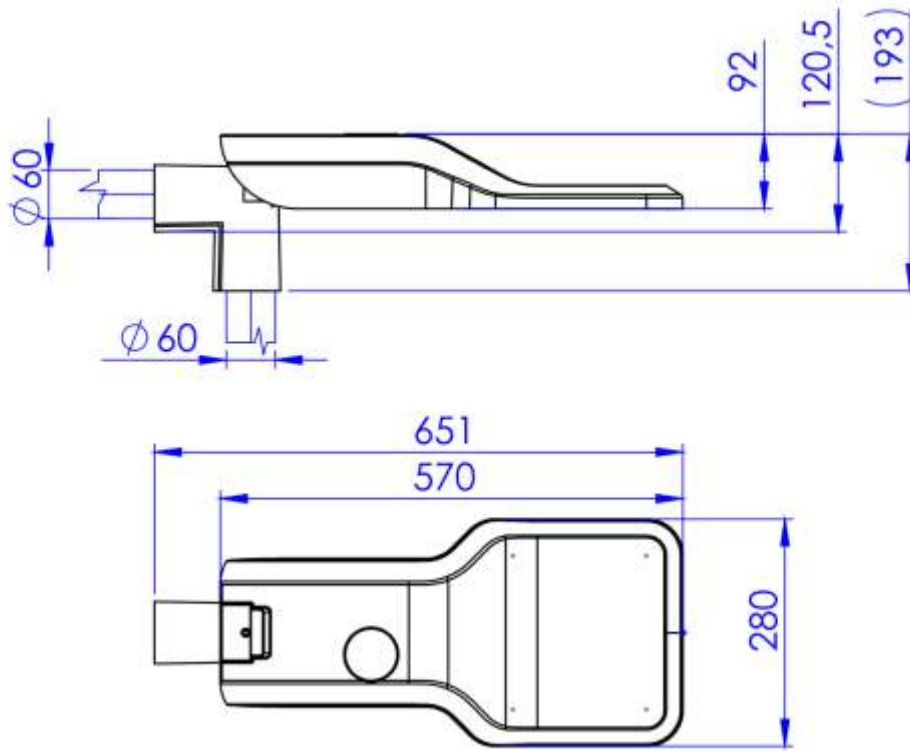
VARIANTS (chip 5050)	POWER (W)					LUMINAIRE OUTPUT FLUX (lm)		LUMINAIRE EFFICIENCY (lm/W)	SERVICE LIFE (hrs.)	WEIGHT
	Color temperature (K)									
Catalog name	BLUE FREE AMBER U500 < 1.7%	2200K Ra 70 U500 < 7%	2700K Ra 70 U500 < 10.6%	3000K Ra 70 U500 < 14%	4000K Ra 70 U500 < 21%	min	max	Up to	L90B10	kg*
ELEKTRA S Lxx 1k0	7,6	7,6	7,1	6,6	6,4	848	945	147,7	> 120 000	4.8
ELEKTRA S Lxx 1k5	11,3	10,9	10,3	9,5	9,3	1 271	1 418	152,5	> 120 000	4.8
ELEKTRA S Lxx 2k0	14,2	13,8	12,6	12	11,4	1 695	1 891	165,9	> 120 000	4.8
ELEKTRA S Lxx 2k5	17,6	17,2	15,6	14,6	14	2 119	2 363	168,8	> 120 000	4.8
ELEKTRA S Lxx 3k0	21,1	20,7	18,9	17,7	16,9	2 543	2 836	167,8	> 120 000	4.8
ELEKTRA S Lxx 3k5	24,6	24,1	22,3	20,6	19,6	2 967	3 309	168,8	> 120 000	4.8
ELEKTRA S Lxx 4k0	28,2	27,7	25,5	23,6	22,6	3 390	3 781	167,3	> 120 000	4.8
ELEKTRA S Lxx 5k0	35,8	35,1	32,3	29,8	28,2	4 238	4 727	167,6	> 120 000	4.8
ELEKTRA S Lxx 6k0	41,1	40,5	39,4	36,3	34,3	5 086	5 672	165,4	> 120 000	4.8
ELEKTRA S Lxx 7k0	48,4	47,5	43,3	40,9	38,2	5 933	6 617	173,2	> 120 000	4.8
ELEKTRA S Lxx 8k0	53,4	52,5	50,4	46,9	44,3	6 781	7 562	170,7	> 120 000	4.8
ELEKTRA S Lxx 9k0	60,9	59,9	57,8	53,2	50,1	7 628	8 508	169,8	> 120 000	4.8
ELEKTRA S Lxx 10k0	-	67,4	61,3	60,2	56,6	8 476	9 453	167,0	> 120 000	4.8
ELEKTRA S Lxx 11k0	-	-	68,3	63	59,6	9 324	10 398	174,5	> 120 000	4.8
ELEKTRA S Lxx 12k0	-	-	-	69,4	65,7	10 171	11 344	172,7	> 120 000	4.8

* The weight may vary slightly depending on the luminaire variant.

Luminaire ambient temperature TQ 25 °C
Initial color consistency: ≤ 5 SDCM
IDA Dark Sky fixture seal of approval relates to ≤ 3 000 K
To meet IDA requirements, the luminaires must be installed horizontally with the road
Optical and electrical parameters tolerance ± 10 %

When using the CLO function, the initial power and luminous flux is 10 % lower than the value shown in the table. LDT curves with CLO function have the letter "C" at the end of their marking.

The term BLUE FREE (AMBER) in lighting technology refers to light with a minimum amount of the blue part of the light spectrum (< 2%).



ELEKTRA S

ELEKTRA S II M01BL2 8k0 730 B124 45CAZ2 SJG H3S ENEC

ELEKTRA S	Name and size of the luminaire
without marking	Class I (standard)
II	Class II
G2	Luminaire generation
M01	Roads
L01	Roads
P01	Directional
U01	Area
ZP1 / ZL1	Pedestrian crossings
K01	Combined optics
BL1	BACK Light shades (straight)
BL2	BACK Light shades (curved)
FL1	FRONT Light shades (straight)
FL2	FRONT Light shades (curved)
8k0	Luminous flux marking (source)
730	Colour rendering index Ra > 70 Colour temperature 3 000 K
B	LED module type
1	LED chip type
2	Chip performance BIN
4	Mask type

12	On/Off driver (noDALI) + 2 pole terminal block
13	On/Off driver (noDALI) + 3 pole terminal block
43	DALI driver + 3 pole terminal block
44	DALI driver + 4 pole terminal block
45	DALI driver + 5 pole terminal block
45P	DALI driver + 5 pole terminal block + motion sensor
40	DALI driver + disconnect terminal block (standard)
10	On/Off driver + disconnect terminal block (standard)
DO	D4i driver (for Zhaga connector) + disconnect terminal block (standard)

C	Constant Lumen Output (CLO)
A	Autonomous dimming
ZT	ZHAGA Top (top Zhaga connector), D4i driver
ZB	ZHAGA Bottom (bottom Zhaga connector), D4i driver
ZN	ZHAGA+NEMA connector (NEMA on top, Zhaga on bottom), D4i driver
ZZ	2× ZHAGA (top and bottom connector), D4i driver
Z	Zhaga connector, 4-pin D4i driver
N	NEMA connector, 7 pin (always only the top connector), DALI driver
S	Additional surge protection 10 kV (S)
J	Fuse
G	Gesis connector
H	H05(07)RN-F cable (1 mm ²)
C	CYKY cable (1,5 mm ²)
WO	Without cable
2	2 core cable
3	3 core cable
5	5 core cable
S	Standard – 25 cm length of cable (led out of the luminaire)
1	1 meter (length in whole meters)
ENEC	Certification



lumenlights.eu/elektra-s-en
Update: 14.4.2026