

VERSA

DATASHEET | SPECIFICATIONS



TECHNICAL SPECIFICATIONS

ELECTRICAL PARAMETERS

Light source	» LED
AC voltage	» AC 220–240 V / 50–60 Hz
Connection	» leading out cable
Driver	» electronic driver with surge protection L/N-Ground 10 kV
Surge protection	» additional surge protection 3kV, 10 kA (S)

LIGHT PARAMETERS

Optical system	» area (UI)
Light distribution	» indirect
Color rendering index	» Ra > 70
Color temperature	» 2 200 K » 2 700 K
Service life	» > 100 000 hours (L80B10)

CONSTRUCTION

Housing	» aluminum cast » PC
Color	» RAL 9007
Surface	» mat
Cover	» PC

SAFETY

Protection class	» I » II
Ambient operating temperature	» -40 / +55 °C
Ingress protection	» IP 66
Impact protection	» IK 08

MOUNTING

Method	» pole (48–60 mm)
Recommended height	» up to 6 m

CHARACTERISTIC

The product line uses indirect lighting that partially it also radiates into the upper half-space and is therefore suitable for promenades or historic districts.

USE

- Square
- City parks
- Cycle paths
- Parking



This luminaire contains built-in LED lamps.

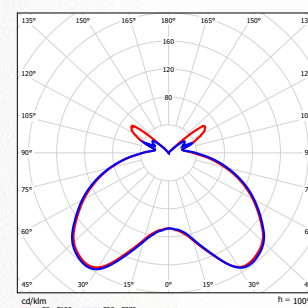
The lamps cannot be changed in the luminaire.

LED

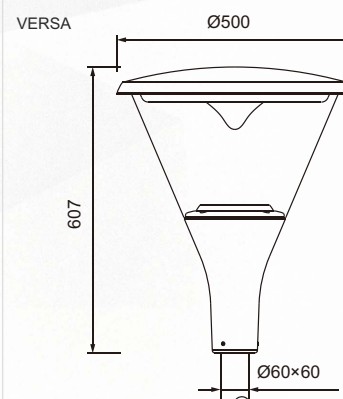
ELEKTRO-LUMEN | VERSA 874/2012

LIGHT DISTRIBUTION CURVE

VERSA 5k8 730



DIMENSIONS



VARIANTS

DATASHEET VERSA

TYPE	POWER (W)		LUMINOUS FLUX	SERVICE LIFE	WEIGHT
	Color temperature (K)				
Name	2 200	2 700	Lumen (lm)	L80B10 (hrs.)	Kilogram (kg)
VERSA IU 3k4	40	37,3	3 400	> 100 000	7,5
VERSA IU 4k2	50	46,3	4 250	> 100 000	7,5
VERSA IU 5k1	60	56,2	5 100	> 100 000	7,5

Optical and electrical parameters tolerance $\pm 10\%$

LEGEND

VERSA IU 3k4 722 G H3S

	name
	optics (indirect)
	power variant
	color rendering index Ra >70, color temperature 2 200 K
	Gesis
	leading out cable