

TEKO

Modern urban LED lamp



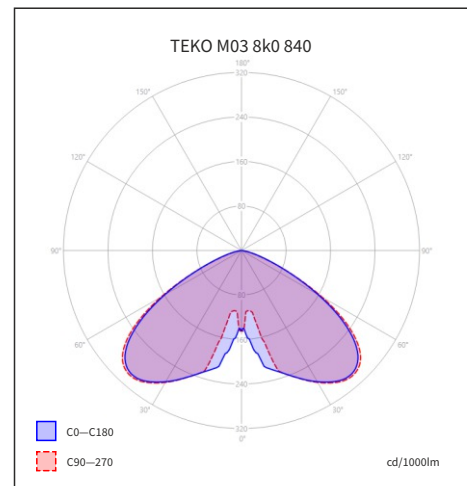
TECHNICAL SPECIFICATIONS

| | |
|-------------------------------------|--|
| Light source | LED |
| Power voltage | AC 220–240 V / 50–60 Hz |
| Connection method | leading out cable, leading out cable with connector (G) |
| Ballast part | electronic driver with surge protection L/N-Ground 10 kV |
| Surge protection | additional surge protection 10 kV (S) |
| Fuse | fuse 6,3 A (J) |
| Possibility of regulation | non-dimmable (not labeled), DALI (max. 3 core cable), night dimming (A) preparation for wireless communication NEMA (N), Zhaga (Z) CLO (C) |
| Constant lumen output | |
| Optical system | roads (Mxx), roads (Lxx), directional (Pxx) area (Uxx), combined optics (Kxx) BACK Light shades (BL1), FRONT Light shades (FL1) direct |
| Light distribution | |
| Colour rendering index | Ra > 70, Ra > 80 |
| Colour temperature | BLUE FREE™ (AMBER) 2,200 K / 2,700 K / 3,000 K / 4,000 K / 5,000 K / 5,700 K / TW > 120,000 hrs. (L90) |
| Service life | |
| Luminaire body | aluminum cast |
| Colour | RAL 7015/9006* |
| Surface type | matte |
| Luminaire cover | tempered glass |
| Protection class | I, II |
| Maximum ambient temperature | max. -40 / +55 °C |
| Ingress protection | IP 66 |
| Impact protection | IK 09, IK 10 |
| EMC | YES |
| Vibration test | YES |
| Static load test | YES |
| Corrosion test - Salty spray | YES (1,500 hours) |
| Life test | YES |
| Certification | ENEC, ENEC+ , Zhaga-D4i, DarkSky Approved |
| Photobiological safety | RG0 |
| CB mark | YES |
| RoHS | YES |
| REACH | YES |
| Method | pole (48–60 mm), 60–76 mm (included) |
| Recommended height | max. up to 6 m |

*other RAL (on request)

Use:

Pedestrian zones, Outdoor areas, Sidewalks, Cycle paths, Square



This product contains a light source of energy efficiency class C (730/740), D (AMB/727), E (722).



VARIANTS

| VARIANTS (chip 3535) | POWER (W) | | | | LUMINAIRE OUTPUT FLUX (lm) | | LUMINAIRE EFFICIENCY (lm/W) | SERVICE LIFE (hrs.) | WEIGHT |
|-------------------------|-------------------------------|--------------------------------|------------------------------|------------------------------|-------------------------------|--------|-----------------------------------|------------------------|--------|
| | Color temperature (K) | | | | | | | | |
| Catalog name | 2200K Ra 70 U500 < 6.5% | 2700K Ra 70 U500 < 10.5% | 3000K Ra 70 U500 < 15% | 4000K Ra 70 U500 < 23% | min | max | Up to | L90 | kg* |
| TEKO Mxx 1k0 | 7,8 | 7,1 | 6,9 | 6,5 | 737 | 871 | 134,0 | > 120 000 | 9.9 |
| TEKO Mxx 1k5 | 11,8 | 10,4 | 9,9 | 9,4 | 1 105 | 1 306 | 138,9 | > 120 000 | 9.9 |
| TEKO Mxx 2k0 | 14,5 | 12,8 | 12,3 | 11,7 | 1 473 | 1 741 | 148,8 | > 120 000 | 9.9 |
| TEKO Mxx 3k0 | 22,6 | 19,5 | 18,3 | 17,5 | 2 210 | 2 612 | 149,3 | > 120 000 | 9.9 |
| TEKO Mxx 4k0 | 30,6 | 27,1 | 25,1 | 23,9 | 2 947 | 3 483 | 145,7 | > 120 000 | 9.9 |
| TEKO Mxx 5k0 | 39,6 | 34,3 | 32,1 | 30,6 | 3 684 | 4 354 | 142,3 | > 120 000 | 9.9 |
| TEKO Mxx 6k0 | 42,7 | 42,6 | 39,5 | 37,4 | 4 420 | 5 224 | 139,7 | > 120 000 | 9.9 |
| TEKO Mxx 7k0 | 50,9 | 44,2 | 41,6 | 39,2 | 5 157 | 6 095 | 155,5 | > 120 000 | 9.9 |
| TEKO Mxx 8k0 | 59,5 | 51,4 | 48,2 | 45,4 | 5 894 | 6 966 | 153,4 | > 120 000 | 9.9 |
| TEKO Mxx 9k0 | 68,2** | 59 | 55,4 | 52,3 | 6 630 | 7 836 | 149,8 | > 120 000 | 9.9 |
| TEKO Mxx 10k0 | 78** | 66,6** | 62,5** | 58,9 | 7 367 | 8 707 | 147,8 | > 120 000 | 9.9 |
| TEKO Mxx 12k0 | - | 83,9** | 77,8** | 72,9** | 8 840 | 10 448 | 143,3 | > 120 000 | 9.9 |

| VARIANTS (chip 5050) | POWER (W) | | | | | LUMINAIRE OUTPUT FLUX (lm) | | LUMINAIRE EFFICIENCY (lm/W) | SERVICE LIFE (hrs.) | WEIGHT |
|-------------------------|-----------------------------------|-----------------------------|--------------------------------|------------------------------|------------------------------|-------------------------------|--------|-----------------------------------|------------------------|--------|
| | Color temperature (K) | | | | | | | | | |
| Catalog name | BLUE FREE AMBER U500 < 1.7% | 2200K Ra 70 U500 < 7% | 2700K Ra 70 U500 < 10.6% | 3000K Ra 70 U500 < 14% | 4000K Ra 70 U500 < 21% | min | max | Up to | L90 | kg* |
| TEKO Lxx 1k0 | 7,6 | 7,6 | 7,1 | 6,6 | 6,4 | 733 | 858 | 134,1 | > 120 000 | 9.9 |
| TEKO Lxx 1k5 | 11,3 | 10,9 | 10,3 | 9,5 | 9,3 | 1 099 | 1 287 | 138,4 | > 120 000 | 9.9 |
| TEKO Lxx 2k0 | 14,2 | 13,8 | 12,6 | 12 | 11,4 | 1 466 | 1 716 | 150,5 | > 120 000 | 9.9 |
| TEKO Lxx 3k0 | 21,1 | 20,7 | 18,9 | 17,7 | 16,9 | 2 199 | 2 575 | 152,4 | > 120 000 | 9.9 |
| TEKO Lxx 4k0 | 28,2 | 27,7 | 25,5 | 23,6 | 22,6 | 2 932 | 3 433 | 151,9 | > 120 000 | 9.9 |
| TEKO Lxx 5k0 | 35,8 | 35,1 | 32,3 | 29,8 | 28,2 | 3 665 | 4 291 | 152,2 | > 120 000 | 9.9 |
| TEKO Lxx 6k0 | 39,9 | 39,1 | 39,4 | 36,3 | 34,3 | 4 397 | 5 149 | 150,1 | > 120 000 | 9.9 |
| TEKO Lxx 7k0 | 46,6 | 46,2 | 42,3 | 39 | 37,2 | 5 130 | 6 007 | 161,5 | > 120 000 | 9.9 |
| TEKO Lxx 8k0 | 54,1 | 53,7 | 48,4 | 44,7 | 42,5 | 5 863 | 6 866 | 161,6 | > 120 000 | 9.9 |
| TEKO Lxx 9k0 | 61,9** | 60,6 | 55,4 | 51,2 | 48,3 | 6 596 | 7 724 | 159,9 | > 120 000 | 9.9 |
| TEKO Lxx 10k0 | 69,9** | 68,5** | 62,3** | 57,4 | 54,3 | 7 329 | 8 582 | 158,0 | > 120 000 | 9.9 |
| TEKO Lxx 12k0 | - | - | 76,9** | 70,8** | 66,7** | 8 795 | 10 298 | 154,4 | > 120 000 | 9.9 |

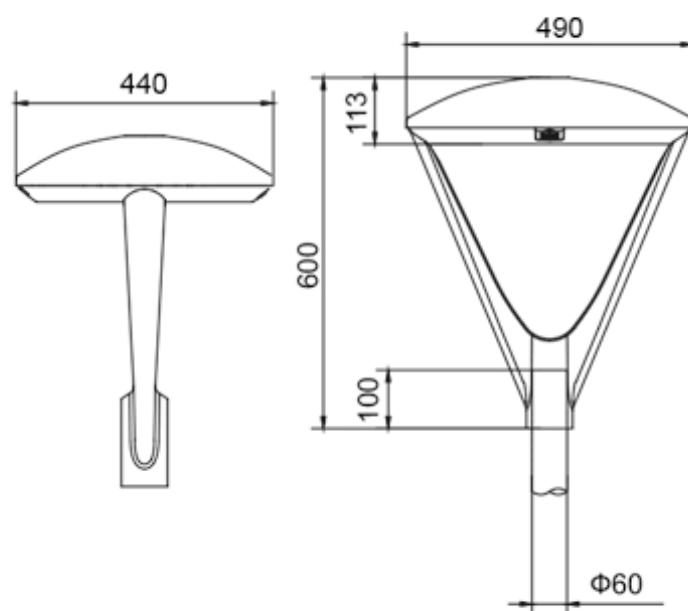
* The weight may vary slightly depending on the luminaire variant.

** Can not be produced under ENEC licence.

| |
|---|
| Luminaire ambient temperature TQ 25 °C |
| Initial color consistency: ≤ 5 SDCM |
| IDA fixture seal of approval relates to ≤ 3 000 K |
| To meet IDA requirements, the luminaires must be installed horizontally with the road |
| Optical and electrical parameters tolerance ± 10 % |

When using the CLO function, the initial power and luminous flux is 10 % lower than the value shown in the table. LDT curves with CLO function have the letter "C" at the end of their marking.

The term BLUE FREE (AMBER) in lighting technology refers to light with a minimum amount of the blue part of the light spectrum (< 2%).



TEKO

TEKO TW II M01BL1 8k0 730 B124 43CAZ SJG H3S ENEC

| | |
|-------------|--|
| TEKO | Name and size of the luminaire |
| TW | Tunable White Correlated Color Temperature (CCT) |
| bez značení | Class I luminaire |
| II | Class II luminaire |
| G2 | luminaire generation |
| M01 | Roads |
| L01 | Roads |
| P01 | Directional |
| U01 | Area |
| ZP1 / ZL1 | Pedestrian crossings |
| K01 | Combined optics |
| BL1 | BACK Light shades (straight) |
| BL2 | BACK Light shades (curved) |
| FL1 | FRONT Light shades (straight) |
| FL2 | FRONT Light shades (curved) |
| 8k0 | Luminous flux marking (source) |
| 730 | Colour rendering index Ra > 70 Colour temperature 3 000 K |
| B | LED module type |
| 1 | LED chip type |
| 2 | Chip performance BIN |
| 4 | Mask type |

| | |
|-----------|---|
| 12 | On/Off driver (noDALI) + 2 pole terminal block |
| 13 | On/Off driver (noDALI) + 3 pole terminal block |
| 43 | DALI driver + 3 pole terminal block |
| 44 | DALI driver + 4 pole terminal block |
| 45 | DALI driver + 5 pole terminal block |
| 45P | DALI driver + 5 pole terminal block + motion sensor |
| 40 | DALI driver + disconnect terminal block (standard) |
| 10 | On/Off driver + disconnect terminal block (standard) |
| DO | D4i driver (for Zhaga connector) + disconnect terminal block (standard) |

| | |
|-------------|--|
| C | constant luminous flux (CLO) |
| A | auto. dimming |
| ZT | ZHAGA Top (top Zhaga connector), D4i driver |
| ZB | ZHAGA Bottom (bottom Zhaga connector), D4i driver |
| ZN | ZHAGA+NEMA connector (NEMA on top, Zhaga on bottom), D4i driver |
| Z2 | 2× ZHAGA (top and bottom connector), D4i driver |
| Z | Zhaga konektor, 4 pin D4i driver |
| N | NEMA connector, 7 pin (always only the top connector), DALI driver |
| S | Additional surge protection 10 kV (S) |
| J | Fuse |
| G | Gesis connector |
| H | H05(07)RN-F cable (1 mm ²) |
| C | CYKY cable (1,5 mm ²) |
| WO | Without cable |
| 2 | 2 core cable |
| 3 | 3 core cable |
| 5 | 5 core cable |
| S | Standard – 25 cm length of cable (led out of the luminaire) |
| 1 | 1 meter (length in whole meters) |
| ENEC | Certification |



lumenlights.eu/teko-en
Update: 20. 2. 2026