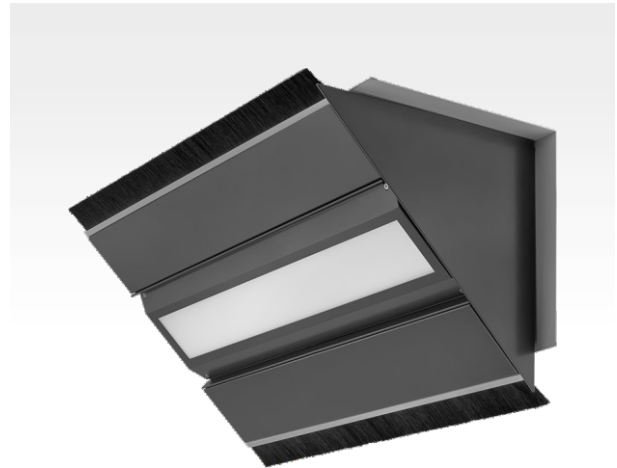


TURON

Anti-vandal LED luminaire for spaces with high risk of damage.



TECHNICAL SPECIFICATIONS

Light source	LED
Supply voltage	AC 220–240 V / 50–60 Hz
Connection	Terminal block
Control gear	Electronic driver with surge protection L/N-Ground 10 kV
Control options	Non-dimmable (no marking), DALI (DALI), virtual midnight (A)
Constant Lumen Output	CLO (C)
Emergency module	NO

Optical system	Diffuser (DPO)
Light distribution	Direct
Colour rendering index	CRI > 80
Colour temperature	2,700 K / 3,000 K / 4,000 K
Lifetime	> 100,000 h (L90B10)

Luminaire housing	Powder-coated steel housing
Colour	RAL 7016 *, exterior surface finish (V)
Surface finish	Gloss
Luminaire cover	Safety glass, opal (DPO)

Protection class	I, II
Max. ambient temperature	-30/+40 °C
Ingress protection	IP 65
Impact resistance	IK 10
Fire hazard	Suitable for flammable surfaces – YES

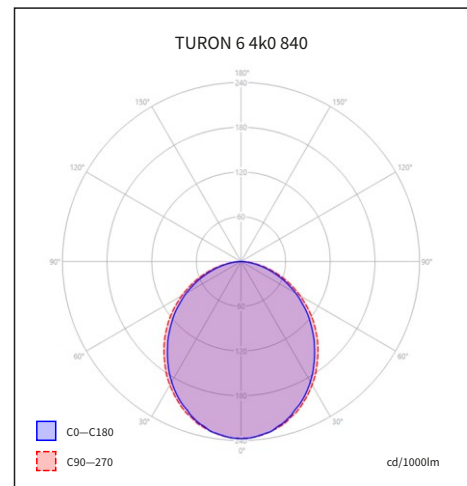
Mounting method	Surface-mounted, corner-mounted, niche-mounted
Mounting height	From 2 to 8 m
Mounting accessories**	Mounted/corner holder (on request)
Notes	Luminaire is equipped with security screws for protection against theft

* Other RAL colours on request

** Surface mounting kit on request

Applications:

Underpasses, passages, garages, car parks, jails

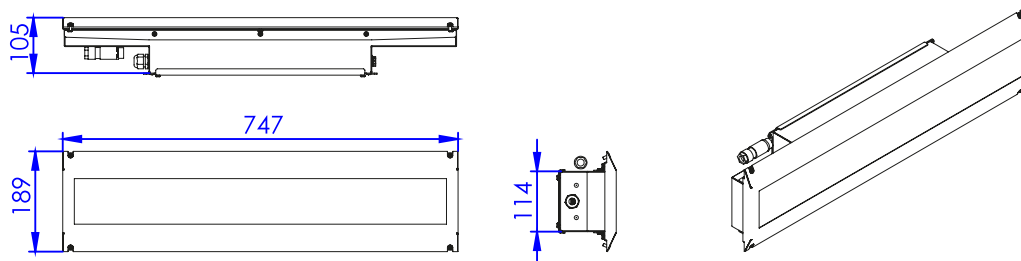


This product contains a light source of energy efficiency class C (730/740), D (AMB/727), E (722).

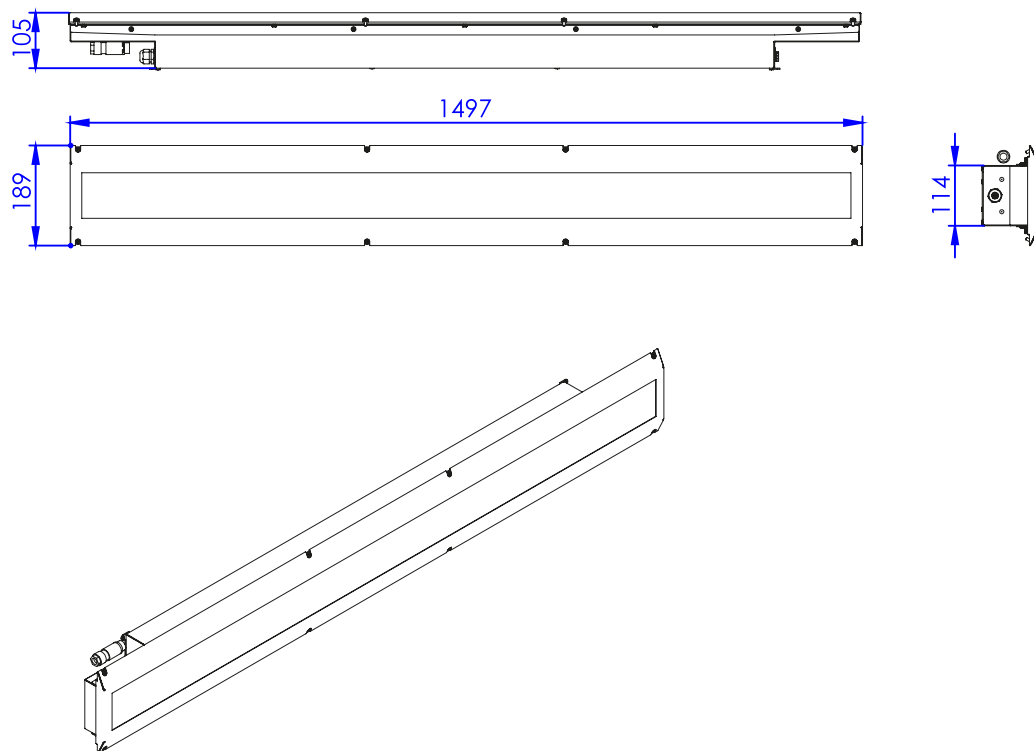
VARIANTS	POWER (W)			LUMINAIRE OUTPUT FLUX (lm)		LUMINAIRE EFFICIENCY (lm/W)	SERVICE LIFE (hrs.)	WEIGHT
	Color temperature (K)			min	max	Up to	L90B10	kg*
Catalog name	2700K Ra 80	3000K Ra 80	4000K Ra 80					
TURON 3 0k7	5,7	5,6	5,3	426	426	80,4	> 100 000	10.0
TURON 3 1k2	8,5	8,4	8	729	729	91,1	> 100 000	10.0
TURON 3 1k7	11,3	11	10,4	1 033	1 033	99,3	> 100 000	10.0
TURON 3 2k3	14,7	14,3	13,6	1 398	1 398	102,8	> 100 000	10.0
TURON 3 3k0	18,8	18,3	17,5	1 824	1 824	104,2	> 100 000	10.0
TURON 3 4k0	25	24,3	23,3	2 432	2 432	104,4	> 100 000	10.0
TURON 3 5k0	31,3	30,4	29,1	3 040	3 040	104,5	> 100 000	10.0
TURON 6 0k7	5,7	5,7	5,4	426	426	78,9	> 100 000	16.0
TURON 6 1k2	8,5	8,3	8,1	729	729	90,0	> 100 000	16.0
TURON 6 1k7	11,3	11	10,4	1 033	1 033	99,3	> 100 000	16.0
TURON 6 2k3	14,5	14,2	13,6	1 398	1 398	102,8	> 100 000	16.0
TURON 6 3k0	18,4	18	17,2	1 824	1 824	106,0	> 100 000	16.0
TURON 6 4k0	24,3	23,7	22,7	2 432	2 432	107,1	> 100 000	16.0
TURON 6 6k0	36,2	35,3	33,5	3 647	3 647	108,9	> 100 000	16.0
TURON 6 8k0	47,9	46,6	44,1	4 863	4 863	110,3	> 100 000	16.0
TURON 6 10k0	60,1	58,4	55,3	6 079	6 079	109,9	> 100 000	16.0
TURON 6 12k0	73,2	71,2	67,3	7 295	7 295	108,4	> 100 000	16.0

* The weight may vary slightly depending on the luminaire variant

TURON 3



TURON 6



TURON

TURON 6 II 4k0 840 E140 43CA V

TURON	Luminaire name
6	Module variant
II	Class II
4k0	Luminous flux marking (source)
840	Colour rendering index Ra > 70 Colour temperature 3,000 K
E	LED module type
1	LED chip type
4	Chip performance BIN
0	Mask type
12	On/Off driver (noDALI) + 2 pole terminal block
13	On/Off driver (noDALI) + 3 pole terminal block
43	DALI driver + 3 pole terminal block
44	DALI driver + 4 pole terminal block
45	DALI driver + 5 pole terminal block
C	Constant luminous flux (CLO)
A	Autonomous dimming
V	Exterior surface finish



el-lumen.cz/turon-en
Update: 29. 5. 2026